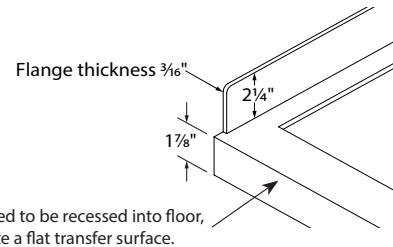
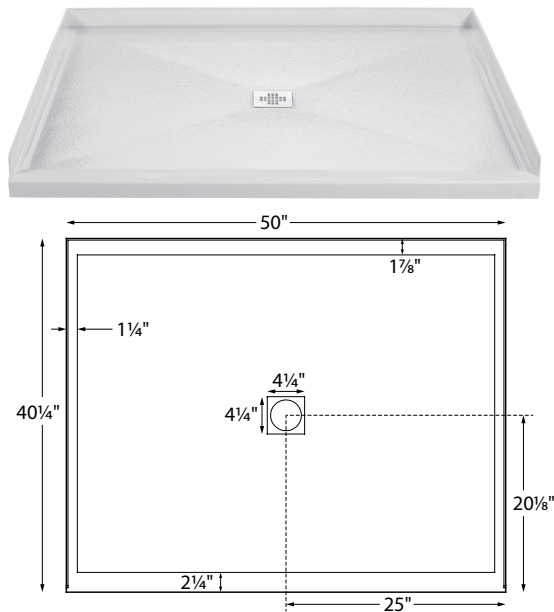


MTSB-5040BF

50" x 40.25" x 4.125"

Barrier-Free
Center Drain / Rectangle



Shower Base

Standard Colors: Part # SB5040BF **\$1,315** Choose from:

White (CWH), Bone (CBN), Biscuit (CBS)

Other Colors: Part # SB5040BFGRP1 **\$1,765** Choose from:

Black (CBL), Sterling Silver (CSS)

Quick Ship/Priority - reduces lead time (QSPRI) Call for availability. **\$350**

Options

PVC Drain Kit with Chrome cover (included with shower base)

Also available for an upcharge: Brushed Nickel (SBSQDBN) **\$75**

Special Finishes (SBSQDSF) **\$225** Send sample - allow 2 weeks.

Solid Brass Drain Kit with Stainless cover (SBDKSB) **\$170**

Pre-Leveled Foam Base (PLFSB) **\$150** see p. E-71

Radiance - shower floor heating system (RAD100) **\$999**

Radiance heating grids are fully integrated within the acrylic shell structure of the shower floor. Requires a 110-volt, 15 amp GFCI and remote installation of control box & keypad. For complete information, see p. E-72 or visit mtibaths.com.

Accessories - see pp. E-73-E-79

Teak Shower Seat -

Premium - Natural Stainless (TK-SSEAT2416BNS) **\$2,185**

High-Polished Stainless (TK-SSEAT2416BHP) **\$2,525**

Standard - Natural Stainless (TK-SSEAT2215NS) **\$810**

High-Polished Stainless (TK-SSEAT2215HP) **\$1,035**

Shower Niche - constructed of Engineered Solid Stone (ESS)

Matte Finish - White (SSNWHMT) or Biscuit (SSNBSMT) **\$440**

Gloss Finish - White (SSNWHGL) or Biscuit (SSNBSGL) **\$590**



Premium teak seat
Size 24" x 16"



Standard teak seat
Size 22" x 15"



Shower niche

CONSTRUCTION AND STANDARD FEATURES

- Zero-barrier front threshold designed for ease of transfer between bathroom and shower area.
- 3-sided integral tile flange to facilitate installation.
- Textured bottom that meets ASTM F-462-1994 certification requirements for safer showering.
- Durable Lucite® cast acrylic shell is extremely scratch- and stain-resistant, yet renewable because the color goes all the way through the material.

- Non-porous surface makes cleaning and sanitizing faster and more effective.
- Multi-layered backing of thick fiberglass / resin / titanium encloses wood reinforcement to prevent flexing of floor pan.
- At least 30% thicker and stronger than other makes.
- Lead time - 5 business days.
- 10-year Limited Residential Warranty.
- Shipping Weight: 115 lbs

SHOWER BASE INSTALLATION: Shower base is designed to be recessed into the floor to create a flat transfer surface. Add bedding compound to fully support bottom of shower base. MTI's optional Pre-Leveled Foam Base requires no additional bedding compound or support. See installation instructions. Measurements are $\pm 1/2"$ and are subject to change without notice. Data herein supersedes all previous prior to publication date indicated below.