

Worksheet and order form must be filled out by an authorized MTI dealer.

Petra Vanity Sink 7 Worksheet Single Bowl

Center or Offset bowl location

Please fill in the information below:

P.O. _____ Date: _____

Contact name: _____

Company / Address: _____

Phone: _____ Fax: _____

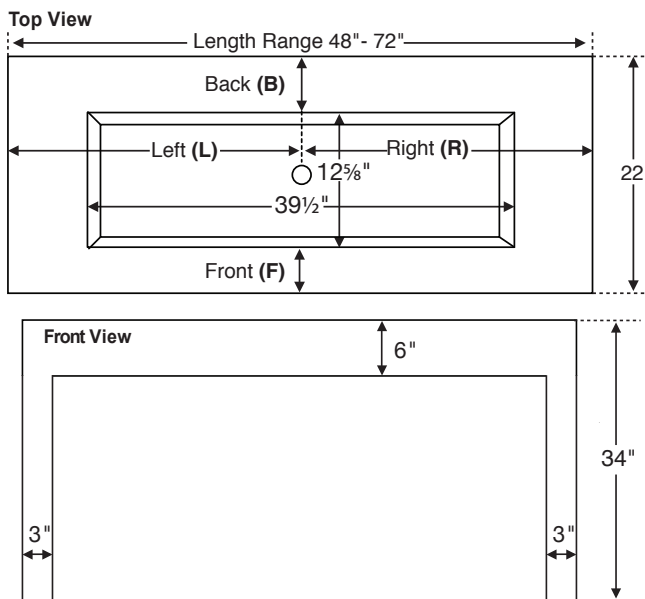
Email: _____

Send this completed worksheet,
along with order form and purchase order to:

MTI Order Entry Department
Phone: 800-783-8827 Fax: 800-438-8827
Email: orderentry@mtibaths.com

Worksheet Instructions:

- Vanity Sink is available in 5 standard lengths ranging between 48" and 72". Enter exact size below. Custom lengths are not available.
- Overall height (34") and depth (22") are fixed and not customizable.
- Select whether faucet will be deck-mounted or wall-mounted.
- Bowl placement options: For length, choose 'centered' or enter specific measurements For depth, select MTI's 'standard' recommended bowl placement for deck-mounted faucet applications, or enter specific measurements.
- Send this worksheet, along with order form and purchase order to the MTI order entry department.



Note: Due to the handcrafted nature of this product, please allow for a tolerance of up to 1/4" for overall dimensions and 1/2" for bowl placement.

Vanity Length *Enter a size listed below:*

_____ Sizes: 48", 54", 60", 66", 72"

Faucet Application *Choose one of the following:*

_____ Deck-Mount **OR** _____ Wall-Mount

Bowl Placement Measurements

Length - Choose 'Centered' **OR** enter measurements for Left (L) **OR** Right (R).

_____ Centered on vanity.

OR

_____ inches (L) from left edge of vanity to center of bowl.

OR

_____ inches (R) from right edge of vanity to center of bowl.

Depth - Choose 'Standard' or enter a measurement from Back (B) **OR** Front (F).

Standard bowl placement for deck-mounted faucets.

_____ 5" (B) and 4 3/8" (F)

OR

_____ inches (B) from back edge of top to back edge of bowl.

OR

_____ inches (F) from front edge of top to front edge of bowl.

Distributor Signature _____

CSA Model # MTCS-V807

Effective 052016

©2016 by MTI Baths, Inc. Modification Rights Reserved.



Vanity Sink Order Form

Single Bowl - Available in up to 5 standard lengths, depending on bowl selected, with fixed depth and height. Use **Worksheet** to specify bowl placement measurements. Pricing can be found on dealer price sheets.

Send this completed order form, along with worksheet and purchase order to:

MTI Order Entry Department
 Phone: 800-783-8827 Fax: 800-438-8827
 Email: orderentry@mtibaths.com

Vanity Size

Length	Finish	Part #	Price
48"	Matte	CV-S48MT	
	Gloss	CV-S48GL	
54"	Matte	CV-S54MT	
	Gloss	CV-S54GL	
60"	Matte	CV-S60MT	
	Gloss	CV-S60GL	
66"	Matte	CV-S66MT	
	Gloss	CV-S66GL	
72"	Matte	CV-S72MT	
	Gloss	CV-S72GL	

Single Bowl Models

Bowl name	Bowl size (rounded)	Fits vanity (size range)	Part #	Price
Petra 1	16" x 14"	24" to 72"	C801S	no charge
Petra 2	15" x 10"	24" to 72"	C802S	no charge
Petra 3	18" x 12"	24" to 72"	C803S	no charge
Petra 4	20" x 13"	30" to 72"	C804S	
Petra 5	46" x 12"	54" to 72"	C805S	
Petra 6	46" x 12"	54" to 72"	C806S	
Petra 7	40" x 13"	48" to 72"	C807S	
Petra 8	40" x 13"	48" to 72"	C808S	
Petra 9	13" x 8"	24" to 72"	C809S	
Wymara 1	18" x 14"	24" to 72"	C821S	no charge
Wymara 2	33" x 14"	42" to 72"	C822S	
Alissa	19" x 13"	24" to 72"	C841S	no charge
Halo 1	14" round	24" to 72"	C861S	no charge

Required Information

	Part #	Price	
Vanity Sink Style	Parsons	CPVS	no charge
	Waterfall	CWVS	
Colors	White	CWH	no charge
	Biscuit	CBI	no charge
Integrated Overflow	None	CION	no charge
	Rear bowl	CIOB	
Faucet Holes	None	CFHN	no charge
	Up to 3*	CFH	

Options and Accessories

	Part #	Price	
Backsplash 4" (H) x 5/8" thick	48" length	CBSM	
	54" to 74" length	CBLG	
Sidesplash 4" (H) x 5/8" thick	Left	CSL	
	Right	CSR	
Floating Shelf See next page for overall dimensions of each size and a listing of compatible Vanity Sink sizes.	Small - matte	CFSSMT	
	Small - gloss	CFSSGL	
	Medium - matte	CFSMMT	
	Medium - gloss	CFSMGL	
	Large - matte	CFSLMT	
	Large - gloss	CFSLGL	
	X-Large - matte	CFSXLMT	
X-Large - gloss	CFSXLGL		
Teak Sink Tray	CTKST		

Available vanity styles - choose from one of the following: See "Required Information" to the left and make a selection.

Parsons - featuring four legs with vanity open on all sides.

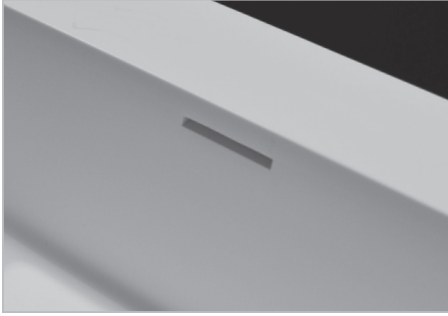


Waterfall - finished appearance on left & right side of vanity.



Additional construction and options information:

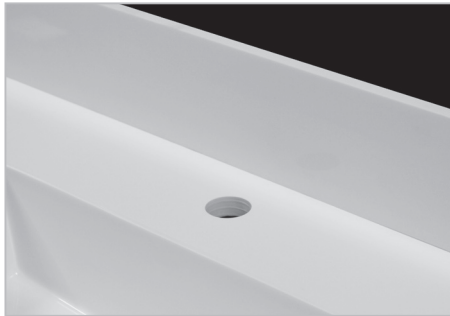
Integrated overflow can be installed on the inside back wall of sink.



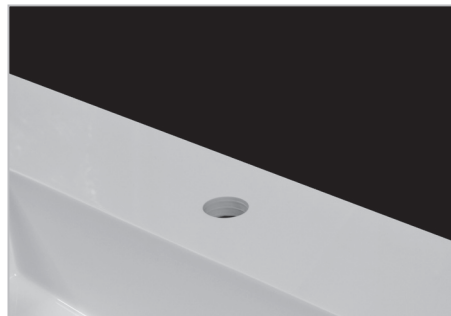
Faucet Holes - up to 3 drilled.
Standard hole size is 1-3/8" in diameter.
Must provide specific drilling instructions on order form.



Backsplash / Sidesplash measures 4" (H) and 5/8" thick.
Field-installed on finished surface of vanity.



Shown above with optional backsplash.



Shown above without a backsplash.

Floating Shelf is available in four lengths: 24" (small), 30" (medium), 42" (large) and 48" (extra large). Each size measures 17" deep x 3" high and is open on the bottom side to accommodate mounting hardware (included). Wall-mounted floating shelf is designed to mount below the Vanity Sink. Shelf provides storage for towels, toiletries and a variety of bathroom accessories. *See ordering information below.*

Ordering Information:

- 24" shelf fits beneath Vanity Sink 36" and up.
- 30" shelf fits beneath Vanity Sink 42" and up.
- 42" shelf fits beneath Vanity Sink 54" and up.
- 48" shelf fits beneath Vanity Sink 60" and up.



Teak Sink Tray is an ideal Vanity Sink accessory, hand crafted to fit rectangular sink bowls. Both stylish and practical, the MTI teak sink tray can be used as a resting place for grooming articles and toiletries. Flat slatted teak design lets water and soap run through, so there is no residue build-up.

