

Worksheet must be filled out by an authorized MTI dealer.

Petra Wall-Mounted Vanity Sink 9 Worksheet - Single Bowl

Offset bowl location

Please fill in the information below:

P.O. _____ Date: _____
 Contact name: _____
 Company / Address: _____
 Phone: _____ Fax: _____
 Email: _____

Send this completed worksheet,
along purchase order to:

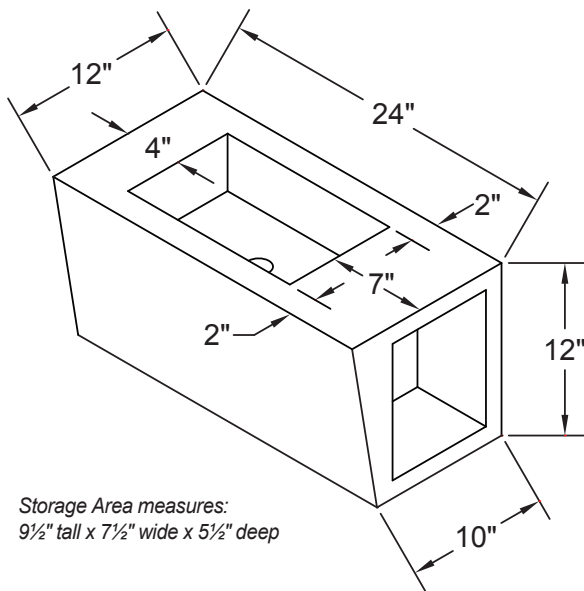
MTI Order Entry Department
 Phone: 800-783-8827 Fax: 800-438-8827
 Email: orderentry@mtibaths.com



Left hand bowl shown,
right hand bowl is mirror
image.

Worksheet Instructions:

- Petra Wall-Mounted Vanity Sink 9 is available only in a 24" x 12" x 12" size. Custom sizes are not available.
- Faucet can only be mounted on 4" deck between bowl and side of vanity.
- Bowl placement options: can be mounted on either the right or left hand side, must specify below.
- Petra 9 bowl measures 13" x 8" x 4". Storage Area measures 9.5" tall x 7.5" wide x 5.5" deep.
- Includes wall mounting bracket. Wall fasteners not included.
- Send this worksheet, along purchase order to the MTI order entry department at orderentry@mtibaths.com.



Storage Area measures:
9½" tall x 7½" wide x 5½" deep

**Note: Due to the handcrafted nature of this product,
please allow for a tolerance of up to 1/4" for overall
dimensions and 1/2" for bowl placement.**

Petra Wall-Mounted Vanity Sink 9

Choose one of the following and enter price:

Length	Finish	Part #	Price
24" x 12" x 12"	Matte	VSWM2412MT	
	Gloss	VSWM2412GL	

Required Additional Information		Part #	Price
<i>Choose one from each group and enter price:</i>			
Colors	White	CWH	no charge
	Biscuit	CBI	no charge
Bowl Placement	Left	CLB	no charge
	Right	CRB	no charge
Integrated Overflow	None	CION	no charge
	Front bowl installation	CIOF	
	Back bowl installation	CIOB	
Faucet Holes	None	CFHN	no charge
	Single hole only	CFH	
Countertop Options		Part #	Price
Backsplash 4" (H) x 5/8" thick	Length up to 24"	CBSM	
Sidesplash 4" (H) x 5/8" thick	Left	CSL	
	Right	CSR	
Textured Front Options		Part #	Price
Rippled (see pg. F-48 or online at mtibaths.com)		CTXR	

Distributor Signature _____

CSA Model # MTCS-VWM809

Effective 042116

©2016 by MTI Baths, Inc. Modification Rights Reserved.

