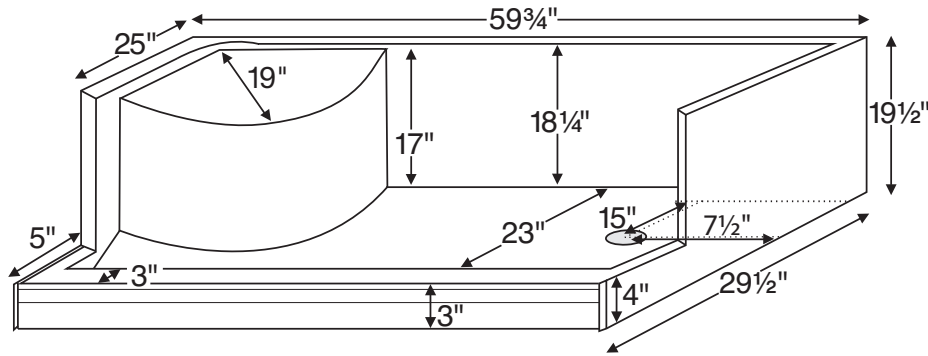




MTSB-6030Seated

59.75" x 29.5" x 19.5"

Low-profile, Seated
End Drain / Rectangle



NOTE: When ordering, please specify left- or right-hand drain.

Shower Base

Standard Colors: Part # SB6030Seated **\$1,525** Choose from:

White (CWH), Bone (CBN), Biscuit (CBS)

Other Colors: Part # SB6030SeatedGRP1 **\$1,780** Choose from:

Black (CBL), Sterling Silver (CSS)

Quick Ship/Priority - reduces lead time (QSPRI) Call for availability. **\$370**

Options

PVC Drain Kit with Chrome cover (included with shower base)

Also available in the following finishes:

Brushed Nickel (SBDKBN) **\$75**

Special Finishes (SBDKSF) **\$235** Send sample - allow 2 weeks

Solid Brass Drain Kit with Stainless cover (SBDKSB) **\$180** Pre-

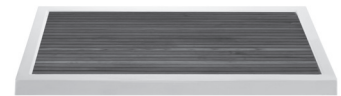
Leveled Foam Base (PLFSB) **\$155**

Radiance® - seat & floor heating system(RAD100) **\$1,050**

Radiance heating grids are fully integrated within the acrylic shell structure of the shower seat and floor area. Requires a 110-volt, 15 amp GFCI and remote installation of control box & keypad. For complete information, see p. E-72 or visit mtibaths.com.



Teak bath mat



Teak shower tray

Accessories

Teak Shower Tray (TK-6030SEATED) \$870

Teak Bath Mat (TK-MAT3018) (custom sizes also available) **\$410**

Shower Niche - constructed of Engineered Solid Stone (ESS)

Matte Finish - White (SSNWHMT) or Biscuit (SSNBSMT) **\$460**

Gloss Finish - White (SSNWHGL) or Biscuit (SSNBSGL) **\$615**



Shower niche

CONSTRUCTION AND STANDARD FEATURES

- Single, front threshold design with integrated seat. 3.5" drain opening pre-drilled.
- Low-profile, narrow threshold and shallow pan.
- Integral tile flange on 3 sides to facilitate installation.
- Textured bottom that meets ASTM F-462-1994 certification requirements for safer showering.
- Durable Lucite® cast acrylic shell is extremely scratch- and stain-resistant, yet renewable because the color goes all the way through the material.
- Non-porous surface makes cleaning and sanitizing faster and more effective.
- Multi-layered backing of thick fiberglass / resin / titanium encloses wood reinforcement to prevent flexing of floor pan.
- At least 30% thicker and stronger than other makes.
- Lead time - 5 business days.
- 10-year Limited Residential Warranty.
- Shipping Weight: 100 lbs

SHOWER BASE INSTALLATION: Add bedding compound to fully support bottom of shower base. MTI's optional Pre-Leveled Foam Base requires no additional bedding compound or support. See installation instructions. Measurements are $\pm 1/2"$ and are subject to change without notice. Data herein supersedes all previous prior to publication date indicated below.